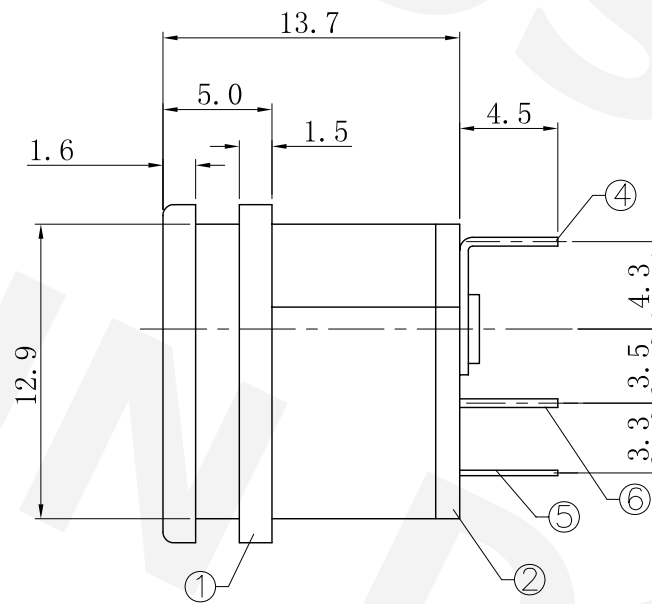
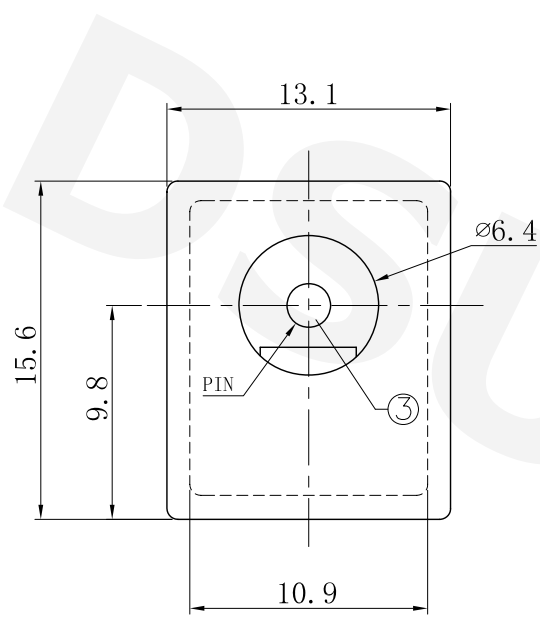
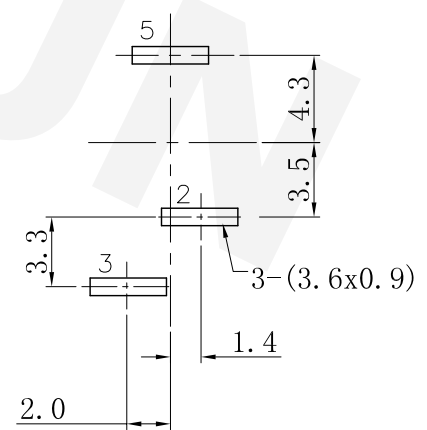


REV	LTR	DESCRIPTION	DATE	REVISER	APPD



P. C. B Layout  
(Top view)



Schematic

DC-015	DC-015-1
5	5
2	2
3	3

PIN	∅2.0	∅2.35	∅2.5
APPD.			

NO.	DESCRIPTION	QTY	MATERIAL	PLATING
⑥	Shunt terminal	1	Brass	Ag-Plating
⑤	Tip spring	1	SUS	Ag-Plating
④	Center pin terminal	1	Brass	Ag-Plating
③	Center pin	1	Brass	Ni-Plating
②	Cover	1	PBT	
①	Housing	1	PBT	Black

**东莞市鼎尚电子有限公司**  
DONGGUAN DSUN ELECTRONICS CO.,LTD.

UNIT:MM      TYPE: DC POWER JACK

MODEL NO: DC-015

PAPER NO: A4	TOLERANCE	ANGLES	SCALE	VER
PAGE 1 OF 1	±0.3	±2°	FULL	03

DESIGNER BY: KING LI      CHECK BY: XIAOMING HU      APPROVED BY: RONG zhon